

# ASAHI *Corsair*

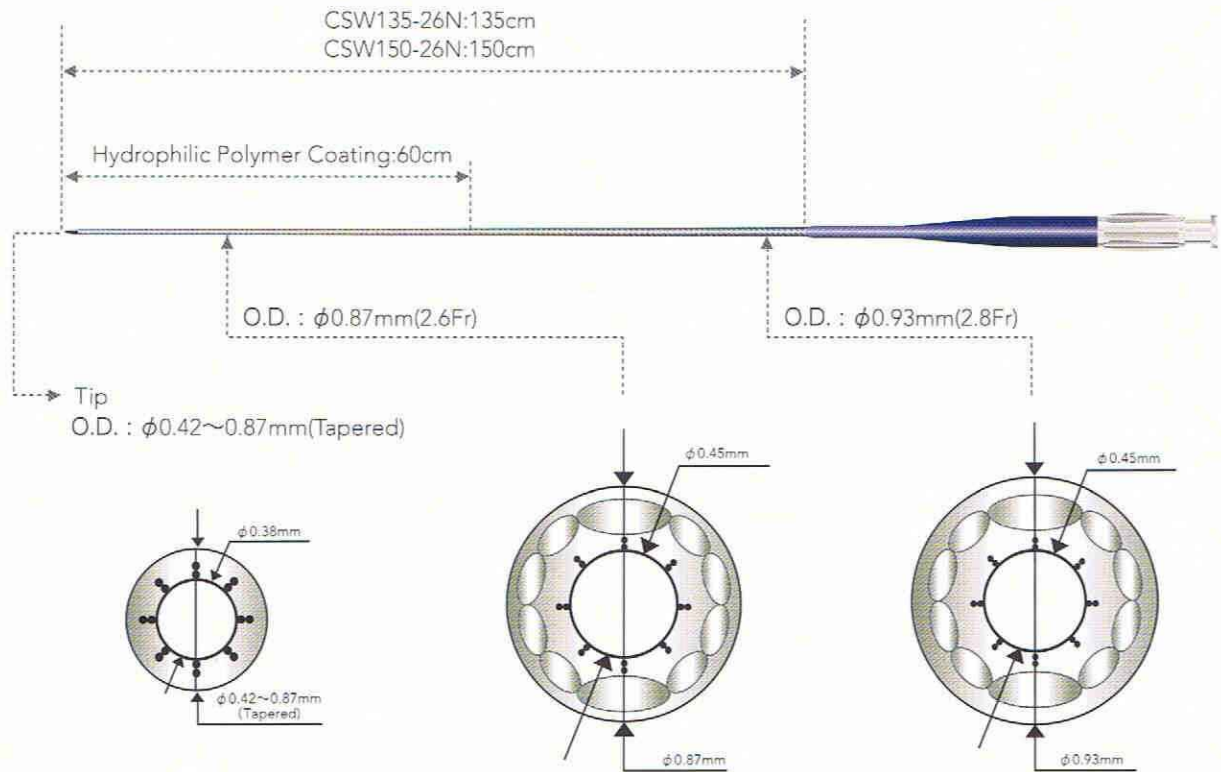
*Microcatheter*

---

*Micro/Support Hybrid Catheter*



## Structure



## Ordering Information

Product	Catalog No.	OD of Distal Shaft (mm/Fr.)	OD of Proximal Shaft (mm/Fr.)	Tip I.D. (mm/inch)	Shaft I.D. (mm/inch)	Usable Length (cm)	Recommended G.W. (mm/inch)	Max. Pressure (kPa/psi)
ASAHI Corsair	CSW135-26N	0.87/2.6	0.93/2.8	0.38/0.015	0.45/0.018	135	0.36/0.014	2,070/300
	CSW150-26N	0.87/2.6	0.93/2.8	0.38/0.015	0.45/0.018	150	0.36/0.014	2,070/300



Manufactured by:



ASAHI INTECC CO.,LTD.

<http://www.asahi-intecc.com>

1703 Wakita-cho, Moriyama-ku, Nagoya, Aichi 463-0024 Japan

TEL: +81-52-768-1210 Fax: +81-52-768-1219

ASAHI INTECC CO., LTD. EUROPE

Strawinskylaan 449  
(WTC Tower C - 4th floor)  
1077 XX Amsterdam,  
The Netherlands

TEL: +31-(0)20-794-0640  
FAX: +31-(0)20-794-0641

ASAHI INTECC USA, INC.

2500 Red Hill Avenue, Suite 210  
Santa Ana, California,  
92705, USA

TEL: +1-949-756-8252  
FAX: +1-949-756-8165

ASAHI INTECC(THAILAND) CO., LTD.

158/1 Moo5,  
Bangkadi Industrial Park,  
Tiwanon Road, Tambol Bangkadi,  
Amphur Muang,  
Pathumthani 12000,  
Thailand

TEL: +66-2-501-1302  
FAX: +66-2-501-1305

ASAHI INTECC CO., LTD.  
SINGAPORE REP OFFICE

3 Bishan Place  
#06-01 Bishan CPF Building  
Singapore 579838

TEL: +65-6250-4248  
FAX: +65-6250-4247

Distributed by: