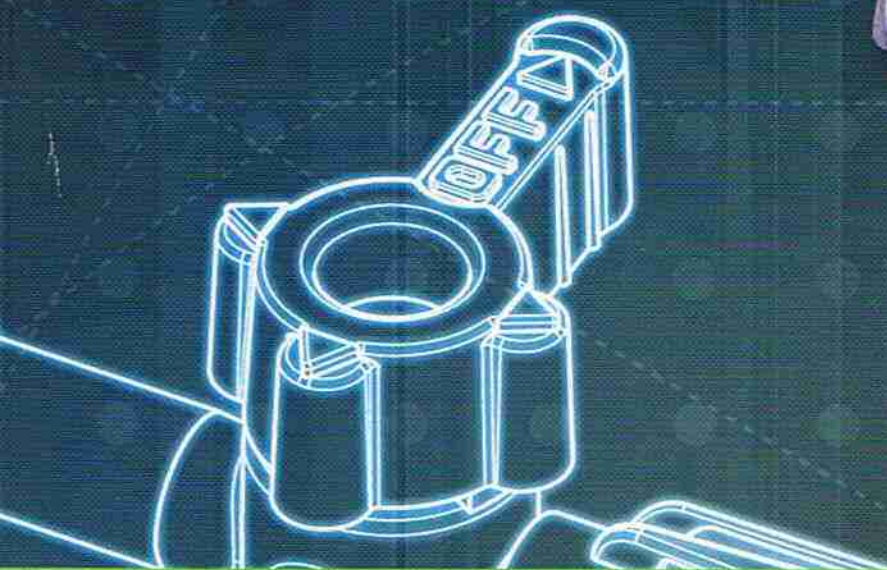


I d e a s t o S o l u t i o n s

ic
Elcam
Medical



MARVELOUS

Minimal Residual Volume Luer activated Stopcock



www.elcam-medical.com



MARVELOUS

Minimal Residual Volume Luer activated Stopcock

A stopcock integrated with a luer activated Swabbable valve (or valves), with a special feature that automatically flushes the side port along with the flow line, allowing **zero residual volume!**

Applications:

- IV lines
- Pressure Monitoring Lines
- CVC
- "Closed System" infusion lines
- Blood sampling

Technical specifications:

• Zero Residual Volume

• Standard Luer Connections

Easy assembly and integration into kits and sets, suitable for luer-lock and luer-slip male connectors.

• High Flow Rate

Flow rate through valve is 150 ml/min under 1.5 psi
Flow rate through stopcock 200 ml/min under 1.5 psi

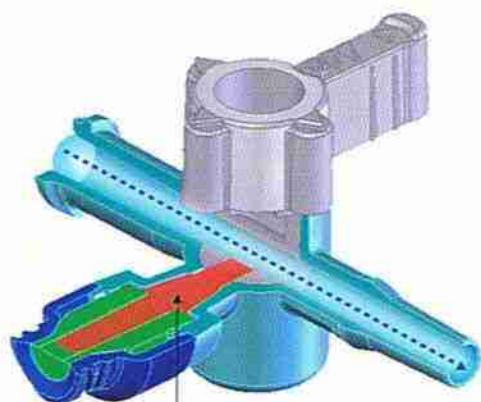
• Other

Lipid Resistant
Latex Free
Non-hemolytic
No frequency response



Luer Activated Valve:

- Needle free connection – provides safety for health care personal and patients by preventing needle-stick injuries and contamination.
- "Closed System" - Automatic closure after usage, preventing exposure of the fluid path to the atmosphere.
 - * Swabbable surface enabling aseptic administration and sampling
 - * Cost effective - Eliminates the need for caps, "Hep-locks", cannulas or any other add-on components.



Residual Volume

▲ Standard



Residual volume flushed by flow line

▲ Marvelous

	High Flow	Standard Flow
One Valve	●	●
Two Valves	●	